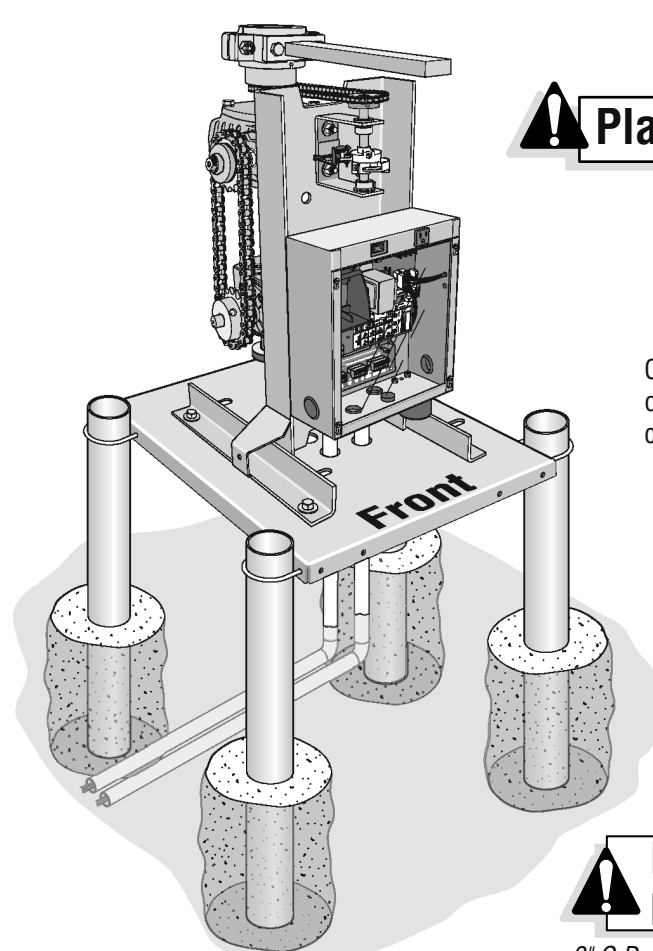


## Type 1 3" Posts mounted on Outside

## Type 2 3" Posts mounted on Inside

## Type 3 4" Square Posts welded on Inside



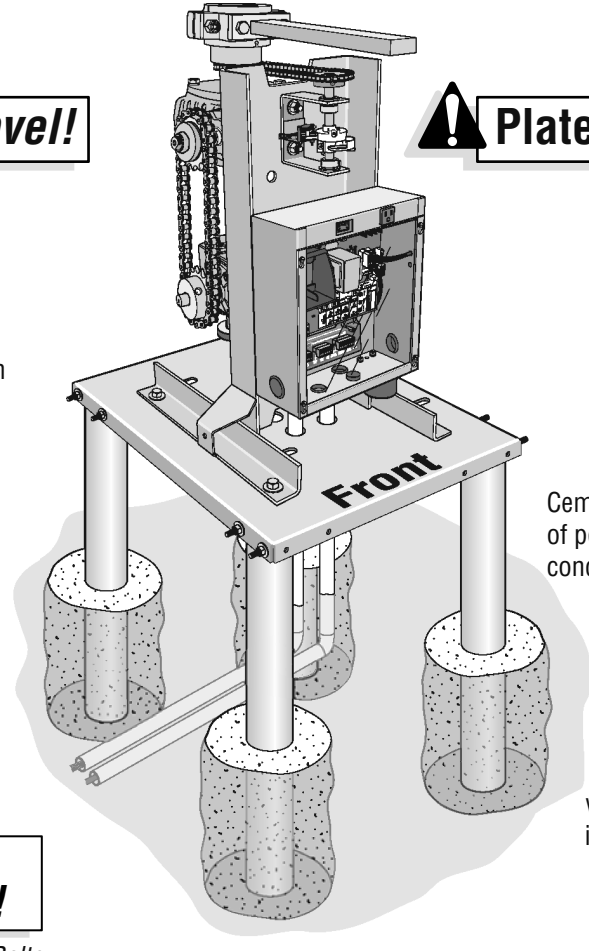
**! Plate *MUST* be Level!**

Cement posts in place. Depth of posts determined by soil conditions and local codes.

Power and control wiring should be run in separate conduits.

**! Distance between posts are *critical!***

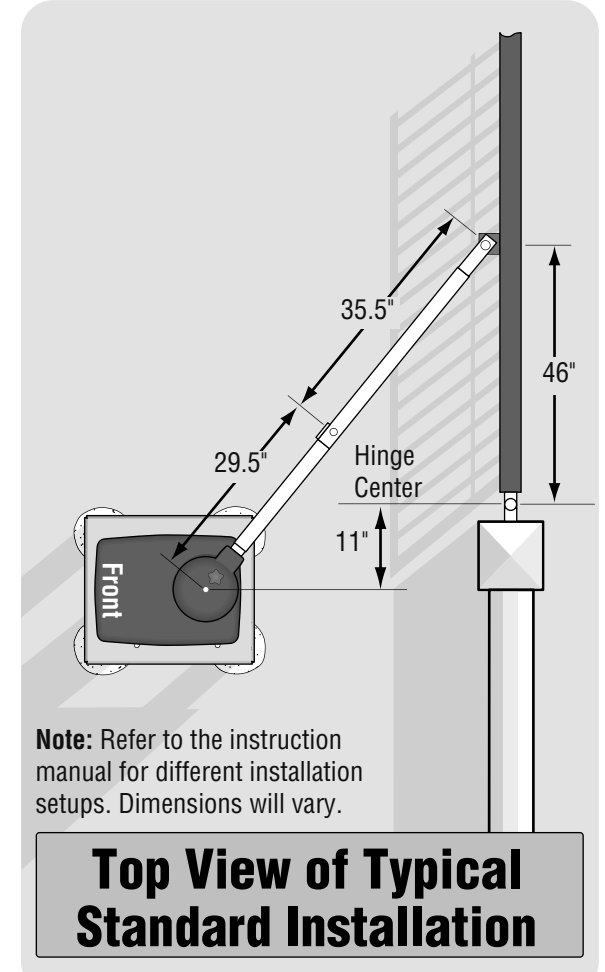
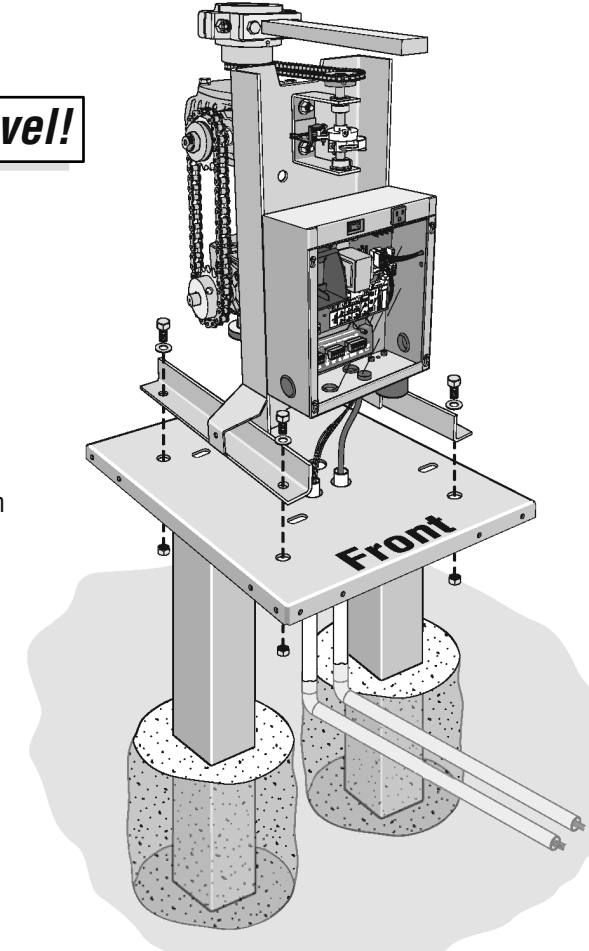
3" O.D. Heavy Walled Posts and U-Bolts Not Provided



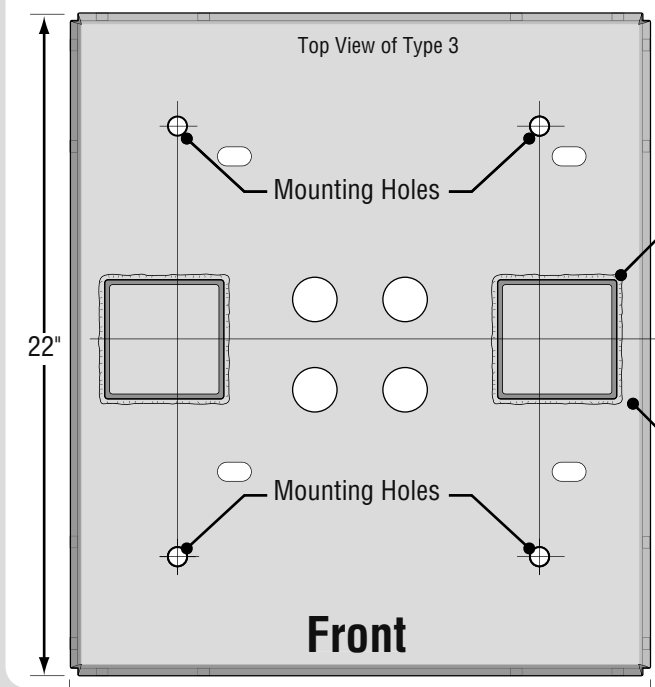
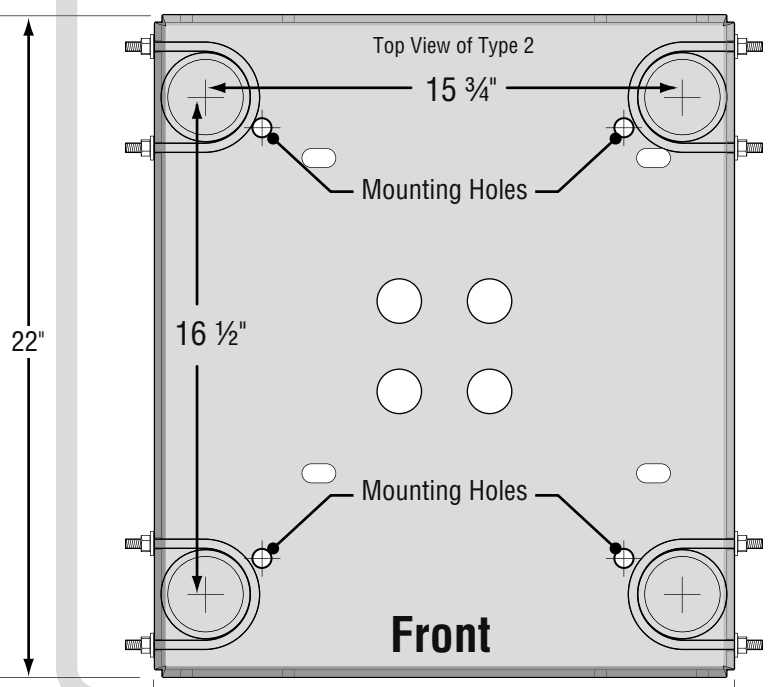
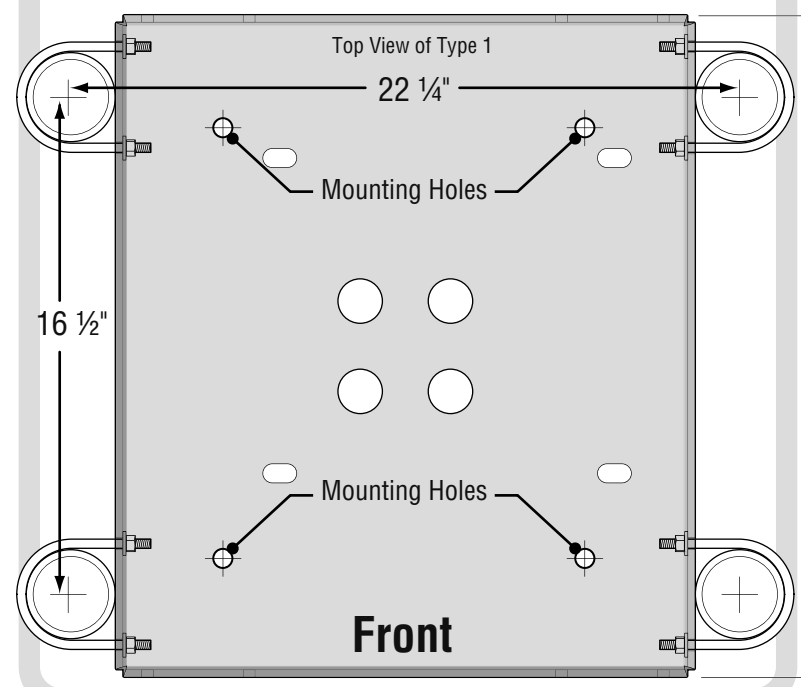
**! Plate *MUST* be Level!**

Cement posts in place. Depth of posts determined by soil conditions and local codes.

Power and control wiring should be run in separate conduits.

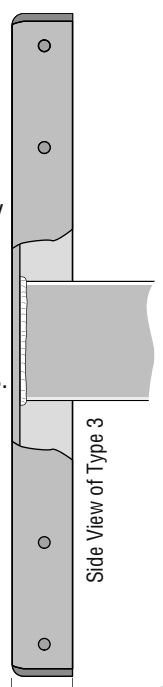


### Top View of Typical Standard Installation



4" O.D. Heavy Walled Square Posts Not Provided

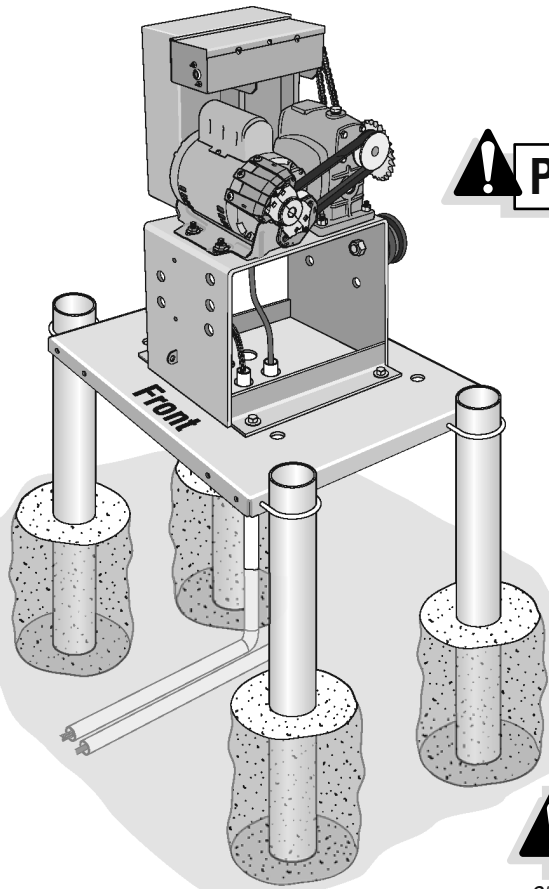
- ! Weld Completely around posts**
- ! Center posts between mounting holes.**
- Keep the posts close to the plate edge.



**! WARNING:** This product can expose you to chemicals including lead, which are known to the State of California to cause cancer or birth defects or other reproductive harm. For more information go to [www.P65Warnings.ca.gov](http://www.P65Warnings.ca.gov)

**Type 1**

**3" Posts mounted on Outside**



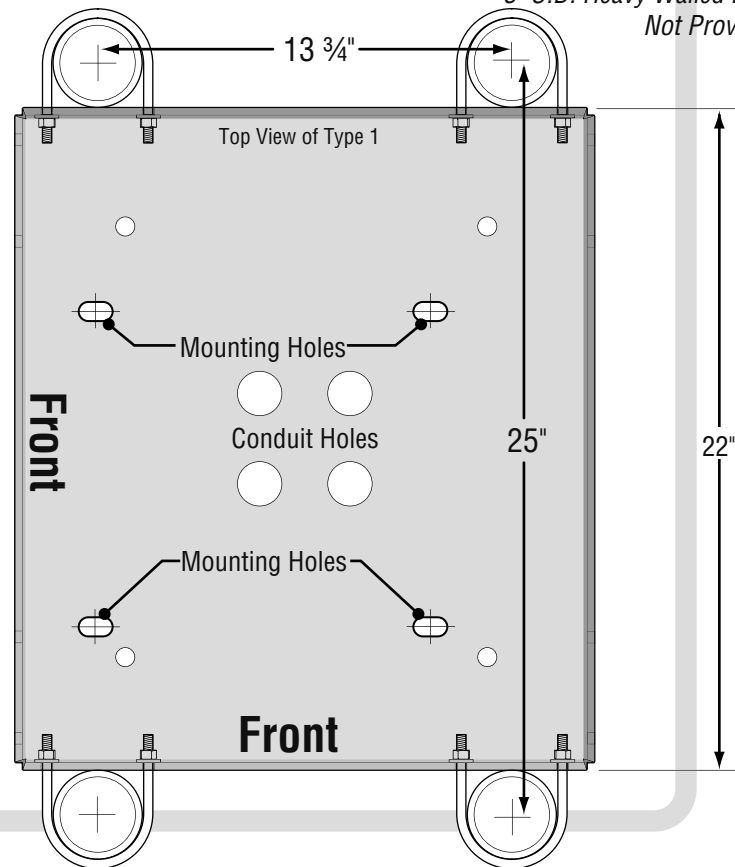
**⚠ Plate *MUST* be Level!**

Cement posts in place. Depth of posts determined by soil conditions and local codes.

Power and control wiring should be run in separate conduits.

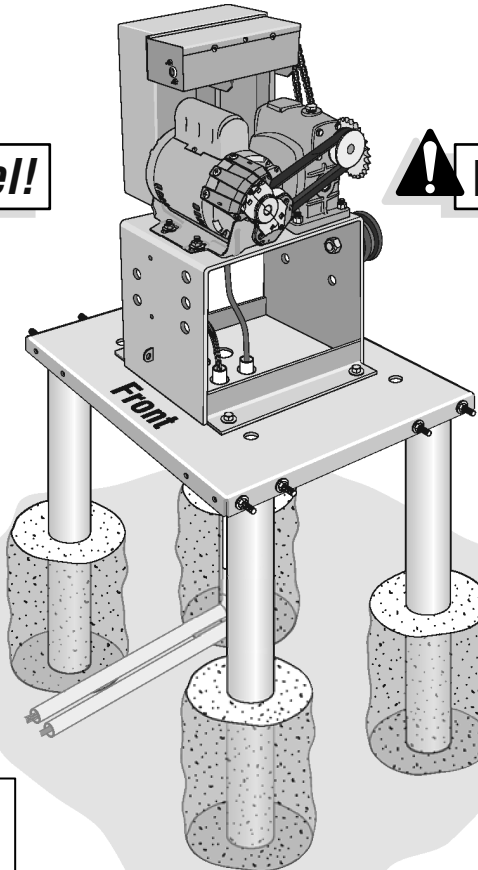
**⚠ Distance between posts are *critical!***

3" O.D. Heavy Walled Posts and U-Bolts Not Provided



**Type 2**

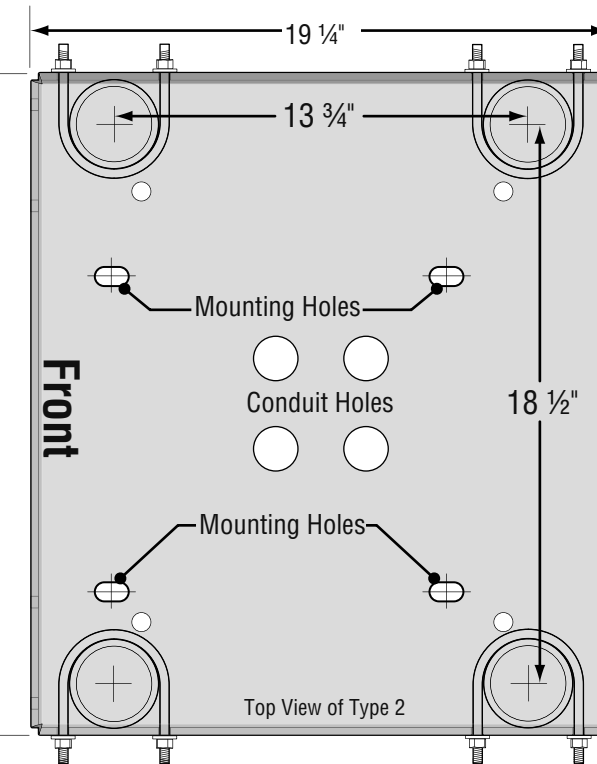
**3" Posts mounted on Inside**



**⚠ Plate *MUST* be Level!**

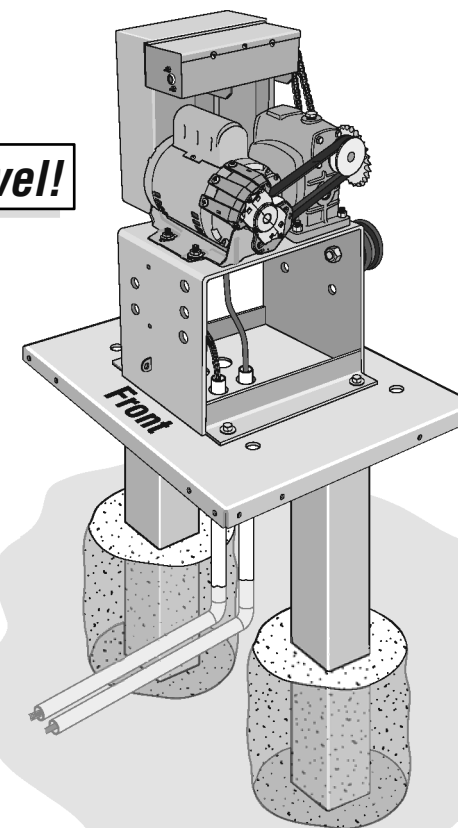
Cement posts in place. Depth of posts determined by soil conditions and local codes.

Power and control wiring should be run in separate conduits.



**Type 3**

**4" Square Posts welded on Inside**

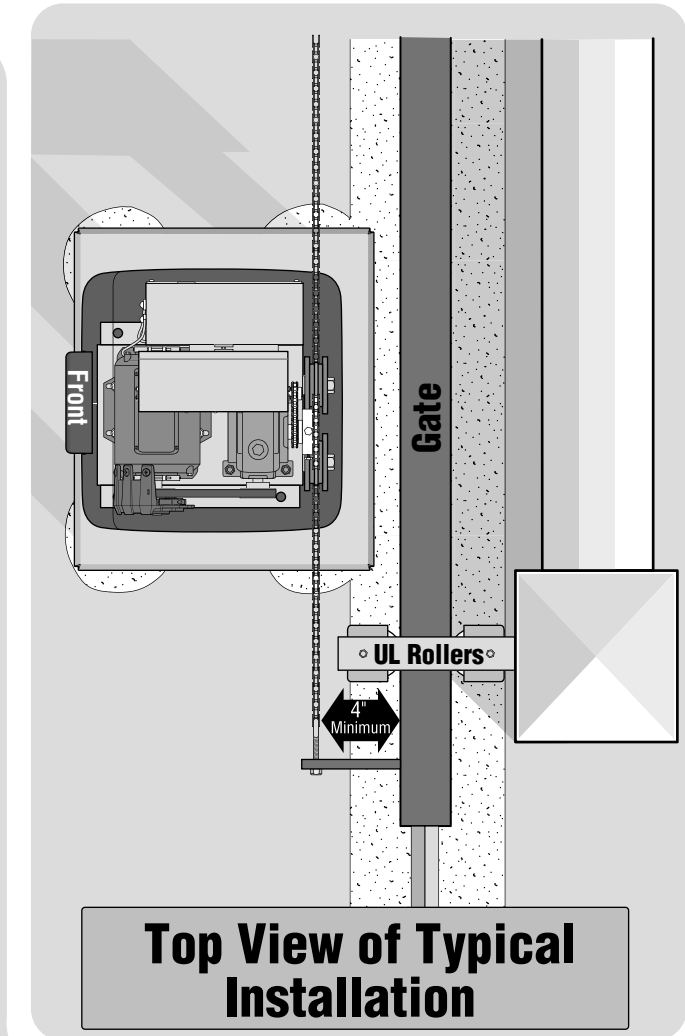
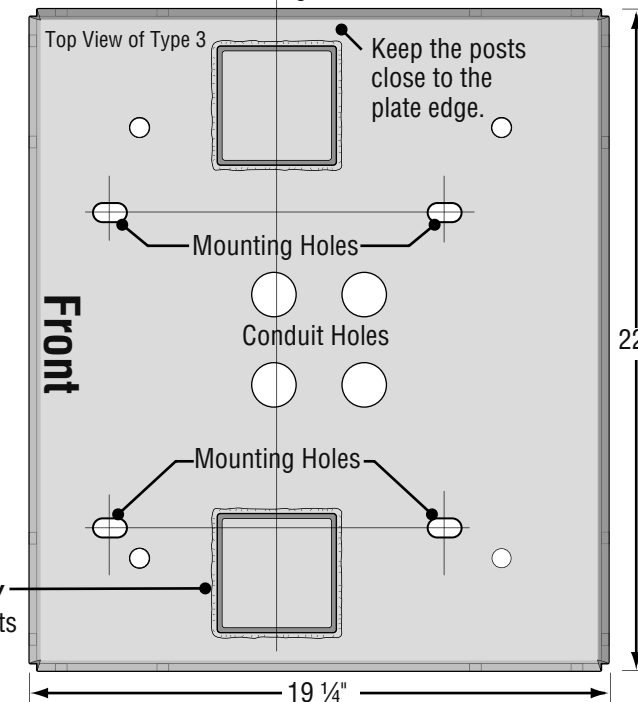
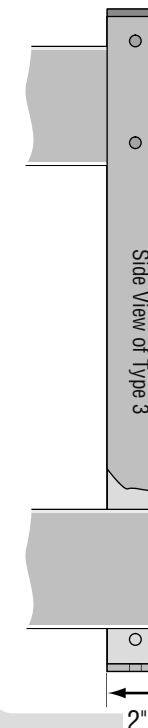


**⚠ Plate *MUST* be Level!**

Cement posts in place. Depth of posts determined by soil conditions and local codes.

Power and control wiring should be run in separate conduits.

4" O.D. Heavy Walled Square Posts Not Provided



**Top View of Typical Installation**